

# V-block and boom

## FOR ROLL HANDLING ETC.

V-block: Art. No. 8161A



### V-block

- The V-block acts as a fixture for rolls and can easily be mounted on the standard platform of the MicroLift, the MiniLift or the Protema 120.
- Manufactured in Stainless for minimal maintenance.
- Can be rotated 90° and therefore fits loose or fixed spindles.

### SPECIFICATIONS V-block

Max. load	The max. load on lift 70/100 kg
Min. lifting height	Lowest position of platform + 50 mm
Max. lifting height	Highest position of lifting device + 50 mm
Weight	3,2 kg

Boom: Art.No. 8516

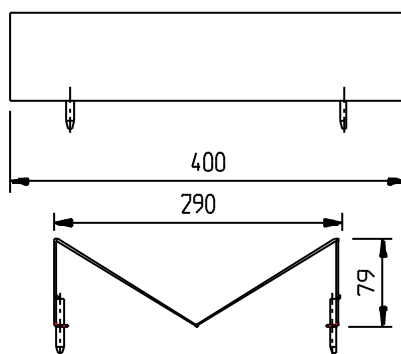


### Boom

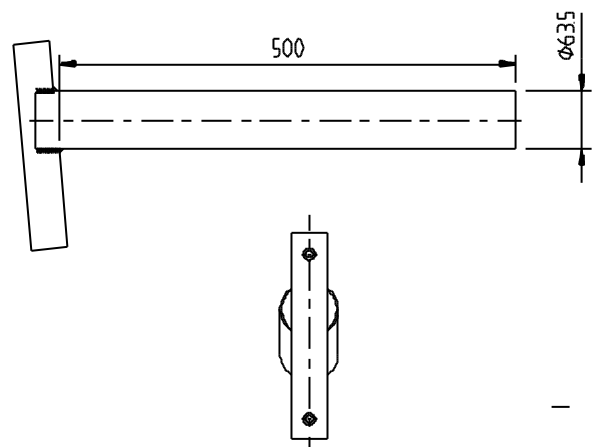
- Boom for handling rolls to machines without spindles or to fixed spindle positions.
- Mounts right onto the lifting device (MicroLift).
- Made out of Ø63,5 mm stainless tube with a length of 500 mm.

### SPECIFICATIONS Boom

Max. load	70 kg
Min. lifting height	300 mm. to center of boom
Max. lifting height	The max. height of lift + 300 mm
Weight	1,75 kg



Art.No. 8161A



Art.No. 8516

## TAWI

Box 10205, Transportgatan 1, SE-434 23 KUNGSBACKA  
Tel +46 300-185 00, Fax +46 300-189 90

E-mail: [info@tawi.se](mailto:info@tawi.se)  
**www.tawi.com**