



Protema electric lift CR80

SPECIFICATIONS:	
Art nr (excluding platform):	Standard: 881000 Lowbuilt: 882000
Max. load	80 kg / 175 lbs
Min. lifting height with platform 8831A/8831B*: Min. lifting height with platform 8831C**:	Standard: 195 mm Lowbuilt: Alt 1 120 mm, Alt 2 50 mm
Max. lifting height with platform 8831A/8831B*: Max. lifting height with platform 8831C**:	Standard: 1695 mm Lowbuilt: Alt 1 1620 mm, Alt 2 1550 mm
Min. lifting height with boom art nr 8840: Max. lifting height with boom art nr 8840:	210 mm 1710 mm
Min. lifting height with foldable platform+forks: Max. lifting height with foldable platform+forks: (Art nr 8845)	195 mm 1695 mm
Weight of unit	appr 35 kg
Lifting speed - high/low	Variable, appr 0,1 m/s
Charging voltage	120/240 V AC
Battery voltage & capacity	24V DC 7.2 Ah
Lifting capacity/charge	80 kg 1m = 100 times
Total height	1936 mm
Wheels	Lowbuilt: front Ø60 mm, rear Ø125 mm Straight (optional): front and rear Ø125 mm
Platform size	Art nr 8831A: 480x460 mm, stainless steel* Art nr 8831B: 480x430 mm, polyethylene* Art nr 8831C: 415x404 mm, stainless steel ** Art nr 8845: 548x435 mm
*Add frame 8830 for complete platform ** Add frame 8832 for complete platform	



881000



882000

CR80 is supplied in two versions, standard and lowbuilt (legs fit under pallet)

Load capacity up to 80 kg

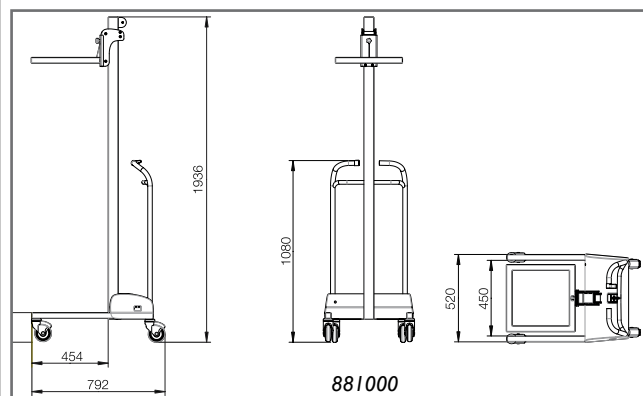
IP65 certified

Powerpac with separate charger (120/240 V AC)

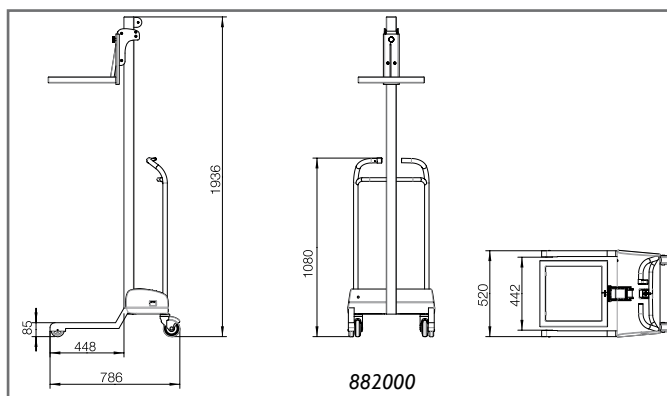
Overload protection

Ergonomic rocker control, variable lifting speed

Other attachments available: V-block and rotating platform, EasySqueeze unit



881000



882000